


# Precautions

Please read, keep and follow all safety and use instructions.

Important Safety Instructions.

1. Heed all warnings.
2. Do not overload the box to avoid damage to the speakers.
3. Do not use this product near water. If the box is used outdoors, make sure that no humidity can enter the box.
4. Clean only with a dry cloth.
5. Do not block any ventilation openings. Install in accordance with the manufacturer's instructions.
6. Do not install near any heat sources such as radiators, heat registers, stoves or similar (including amplifiers).
7. Do not defeat the safety purpose of the polarized or grounding-type plug. A polarized plug has two blades with one wider than the other. A grounding-type plug has two blades and a third grounding prong. The wider blade or third prong is provided for your safety. If the provided plug does not fit in your outlet, consult an electrician for replacement of the obsolete outlet.
8. Protect the power cord from being walked on or pinched, particularly at plugs, convenience receptacles, and the point where it exits from this product.
9. Only use attachments/accessories specified by the manufacturer.
10.  Use only with the cart, stand, tripod, bracket or table specified by the manufacturer or sold with the product. When a cart is used, use caution when moving the cart/product combination to avoid injury from tip-over.
11. Unplug this product during lightning storms or when unused for long periods of time.
12. Refer all servicing to qualified personnel. Servicing is required when the product has been damaged in any way such as power-supply cord or plug is damaged, liquid has been spilled or objects have fallen into the product, the product has been exposed to rain or moisture, does not operate normally, or has been dropped.

## WARNINGS/CAUTIONS:



This symbol on the product means there is uninsulated, dangerous voltage within the product enclosure that may present a risk of electrical shock.



This symbol on the product means there are important operating and maintenance instructions in this guide.

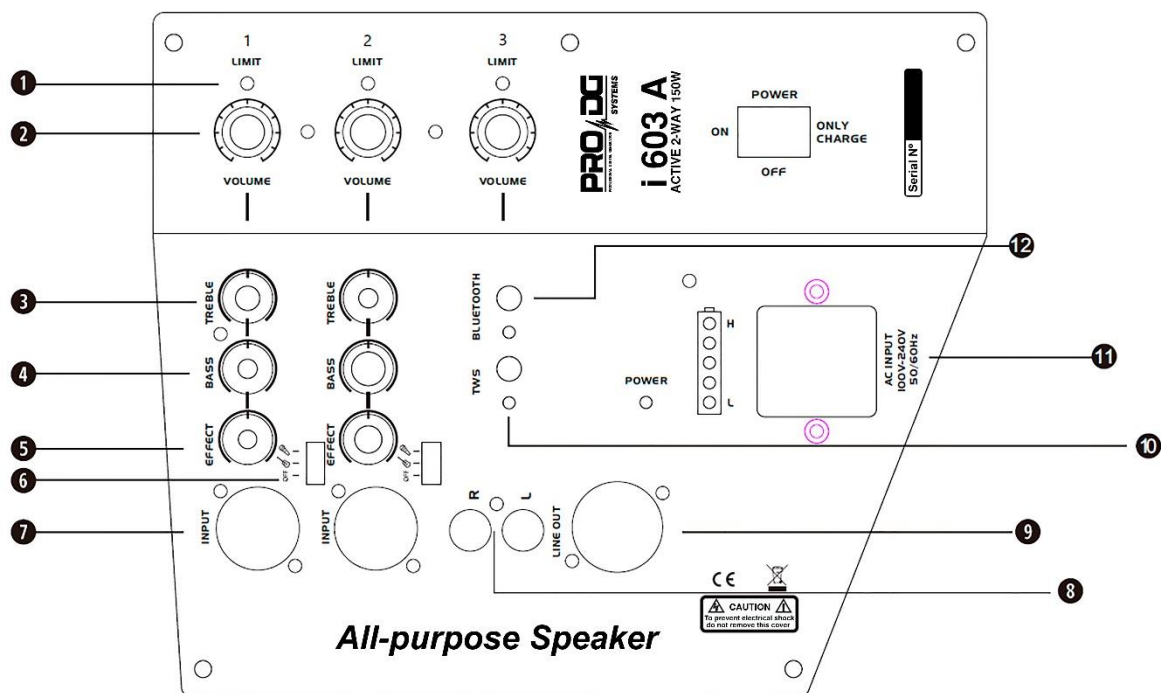




This product contains magnetic material. Consult your doctor on whether this might affect your implantable medical device.

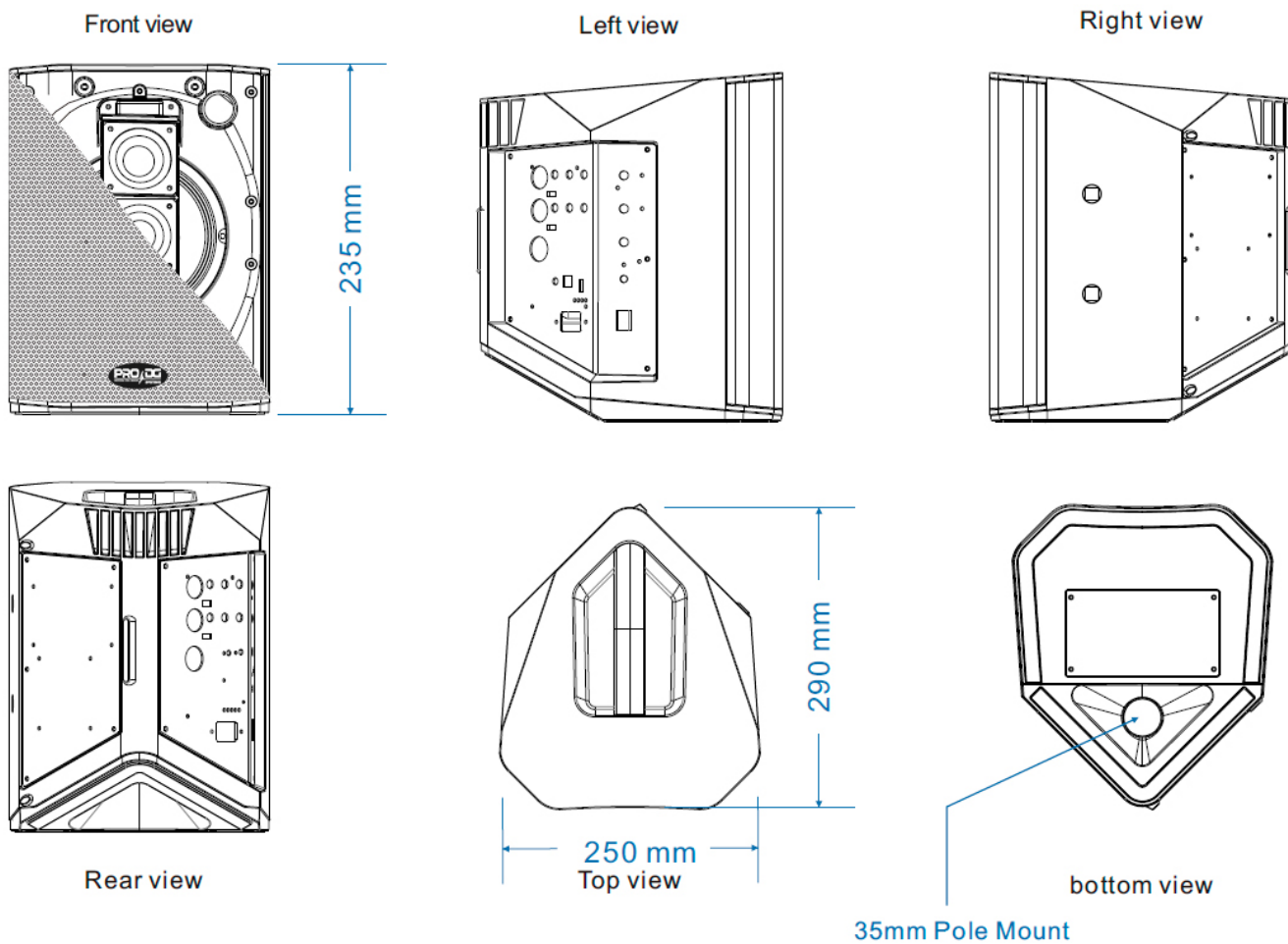


Contains small parts which may be a choking hazard. Not suitable for children under age 3.

# System Setup Connections and Controls



1. **Signal / Clip indicator:** Displays the input signal status in color.  
**Green:** Signal present     **Red:** Signal clipping  
*Note:* Reduce the corresponding volume control to prevent signal clipping.
2. **Volume control:** Adjust the volume of your microphone, instrument or audio source
3. **Treble control:** Adjust the high-frequency balance of your microphone or instrument.
4. **Bass control:** Adjust the low-frequency balance of your microphone or instrument.
5. **Reverb control:** Adjust the amount of reverb applied to your microphone or instrument.
6. **Select switch:** Move the switch to the  or  position to select your guitar or microphone.
7. **Channel input:** Analog input for connecting microphone (XLR) and instrument (TS unbalanced) cables.
8. **XLR input:** These XLR jacks allows for the connection of line sources (i.e., mixer / audio interface bal/unbal line out) both for the Left and Right channel.
9. **Line Output:** Use a ¼c TRS cable to connect the line-level output to the Channel 1 or 2 input of a second i 603 A to create a mono, two-loudspeaker setup.     *Note:* Line Out is post mix.
10. **TWS:** Press the TWS button on the same time on both (2) i 603 A and wait them paired (one TWS LED blink slow, another one doesn't blink), then connect Bluetooth-capable devices to i 603 A to achieve stereo sound play.
11. **Power cord connector:** Connect the power cord to start setting the volume and playing music.
12. **Bluetooth Pair button:** Used to set up pairing with Bluetooth-capable devices, such as mobile phones, tablets and laptops.



## Optional accessories



Wall Mount bracket for i 603 A.



Fit 35 mm / 1.37" speaker mount socket



Steel reinforced leg housing & Adjust tripod design



Anti-off nuts & 4mm screw brace



4mm screw brace & Sealed Main Tube



Steel reinforced tube collar & Locking mechanism



Sealed legs



Exclusive Roll Ball Design & Enhanced Non-Slip Feet



Feet completely grounding More stable



Rubber band with safety pin



Tripod stand for i 603 A.

Technical Specifications	i 603 A
Power Handling	150 W RMS (EIA 426A Standard) / 300 W program / 600 W peak
Nominal Impedance	4 Ohm
Average Sensitivity	97dB / 2.83V / 1m (average of 150-16.000 Hz wideband)
Maximum SPL Calculation	/ 1m 110 dB continuous / 113 dB program / 116 dB peak
Frequency Range	+/-3 between 60 Hz - 18 kHz
Nominal Directivity	120° of horizontal coverage, 90° of vertical coverage
Low / Mid Frequency Driver	One (1) speaker of 6.5", 1.5" voice coil
High Frequency Driver	Three (3) speakers of 2.75" with neodymium magnet, 1" voice coil
Amplifier	Last generation Class-D amplifier
Rigging Points	2 x M8
Connectors	2 XLR / Jack input channels with mic and line switch + XLR Link
Controls	3 Mixer Channels and 2 Mic Preamps, 2-Band Channel EQ, Reverb effect, Bluetooth & TWS function
Power Supply	110~240V 50/60HZ
Battery	Rechargeable Lithium-ion battery 2600mAh. Up to 6 hours of use in normal volume
Acoustic Enclosure	Reinforced polypropylene plastic
Finish	Special paint finish in black
Grille	1.5mm thickness metal grille with 0.5mm acoustic foam
Mounting Options	35mm pole mount, Tilt-back (30° angle), Floor Monitor (45° angle), Wall or ceiling mount with bracket
Cabinet Dimensions	(HxWxD); 235x250x290mm (9.25"x9.84"x11.42")
Weight	7.25 Kg (15.98 lbs) net / 8 Kg (17.64 lbs) with packaging